

HITACHI

ELECTRIC CHAIN HOISTS



TIMELESS RELIABILITY THROUGH ROBUST DESIGN

Easy to use, safe to operate and a long lifespan with low maintenance requirements. For more than 50 years, thousands of companies across the world have been using electric chain hoists manufactured by the Japanese company **Hitachi**. Not without reason. In every industry where loads are moved vertically or horizontally, Hitachi hoists ensure the safety and continuity of production processes. Year after year.

With their patented electromechanical overload protector, the Hitachi **S** and **F** series occupy a unique position in the market. Their robust design makes the hoists ideally suited for a wide range of industrial applications. The Hitachi **S** and **F** series are configurable in different speed settings and can also operate at very low speeds when items need to be lifted up or set down with care. User-friendly controls with handy push-buttons ensure precision and ease of use.



GEARS **S F**

Helical gearing guarantees smooth and quiet operation.

ELECTROMAGNETIC BRAKE **S F**

The electromagnetic braking system **S F** has a long lifespan and requires little maintenance. **F** models are equipped with a patented, automatically adjusting auxiliary brake.

PHASE MONITORING RELAY **S F**

Equipped as standard on hoists with rated loads of 1000kg and up.

LOAD CHAIN **S F**

In accordance with BS-EN 818-7:2002+A1:2008.

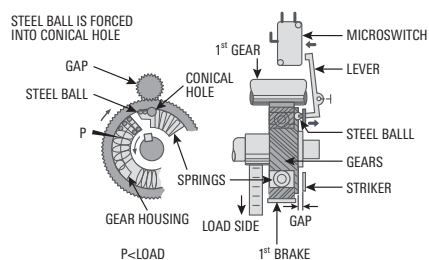
TACKLE WITH LOAD HOOK **S F**

Fully rotatable load hook equipped with safety latch.

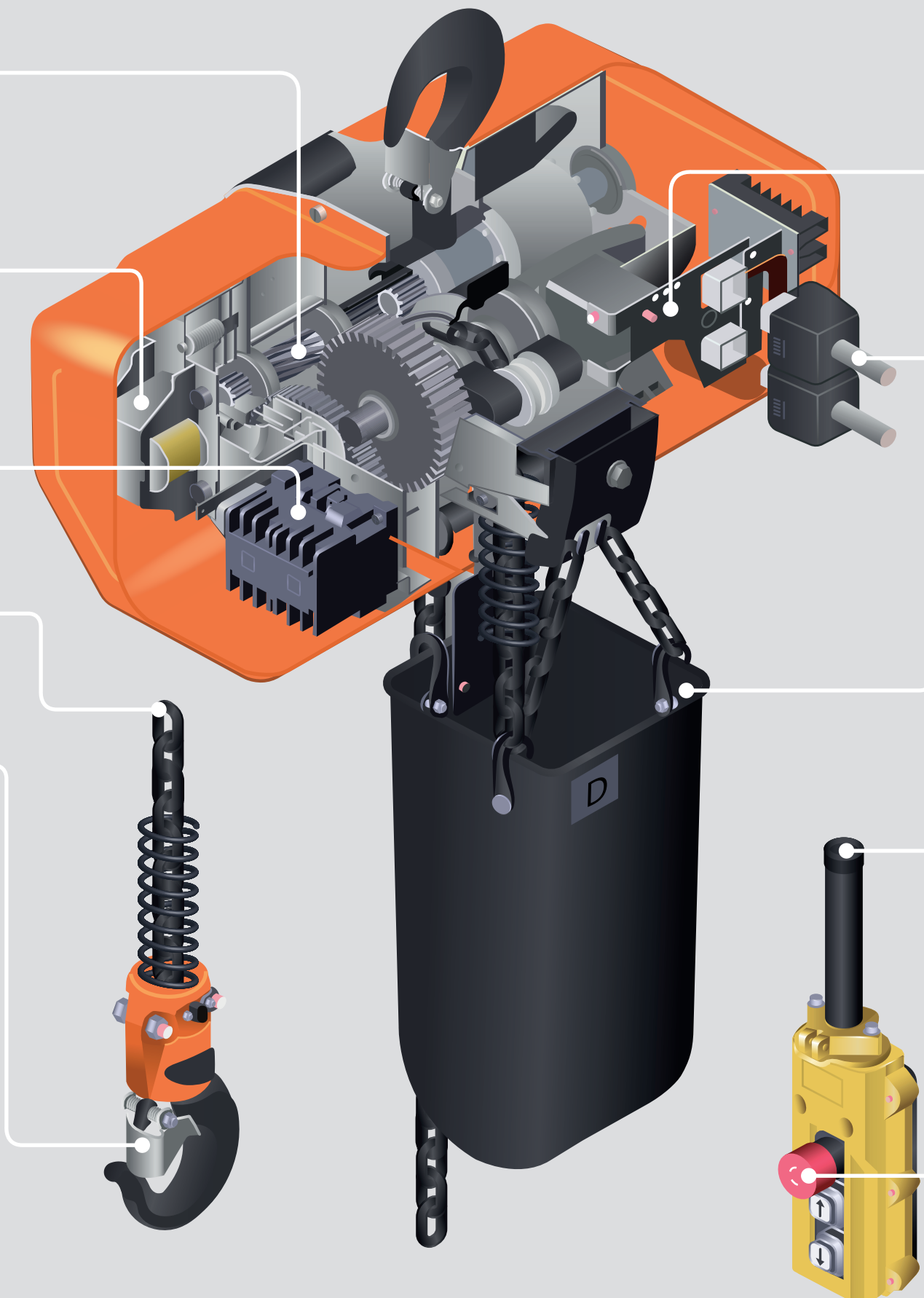
HITACHI LOAD LIMITER **S F**

The hoist will stop when overloaded. The load limiter operates both mechanically and electrically. (Hitachi patented)

WHEN OVERLOADED



ADVANCED FUNCTIONALITY OF THE HITACHI ELECTRIC CHAIN HOIST



ROBUST & PROVEN TECHNOLOGY

UPPER AND LOWER LIMIT SWITCH **S F**

The mechanically forced limit switch disables vertical lift when activated.

AUXILIARY HOIST BRAKE >1000KG RATED LOAD **F**

Equipped as standard on **F** series.

PLUGS **S F**

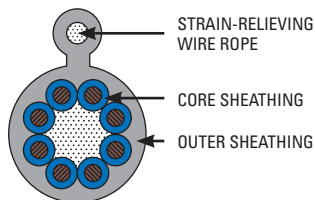
Plug-in connectors for power supply and hoist control.

PLASTIC LOAD CHAIN CONTAINER **S F**

Equipped as standard.

CONTROL CABLE **S F**

All models are equipped as standard with a strain-relieving control cable.



PUSHBUTTON CONTROLS **S F**

Compact and robust rainproof plastic casing equipped with mechanical locking mechanism. Control voltage 24V.

EMERGENCY STOP BUTTON **S F**

The emergency stop disables the hoist by switching off the power supply.

Since the 1960s, Hitachi is known for delivering robust and proven technology. A promise that is clearly reflected in the design of their electric chain hoists.

The Hitachi **S** and **F** series are distinguished by:

- Patented electromechanical protection against overloading
- A robust industrial load chain in 6.3/7.1 or 10 mm
- Choice of black, galvanized or stainless-steel load chain
- A safe auxiliary hoist brake (**F** and **FN** models)
- Choice of single or dual-speed
- Standard 24V controls
- Durability and low maintenance costs

Additionally, the **S** series can be configured as 230V single-phase. The **S** en **F** series will operate on both 50Hz (400V) and 60Hz (440V) and can be specified with a wide range of loading capacities and speeds. The hoists can be delivered in any lifting height.

FIT FOR PURPOSE INDUSTRIES & APPLICATIONS

The Hitachi **S** en **F** series are used in a variety of industries and applications, including:

- Shipping and marine (boat lifts)
- Theatrical rigging
- General and greenhouse construction
- Food processing
- Stainless-steel load chain and tackle (Duplex AISI 316LN)
- Foundry, smelter and kiln/furnace construction
- Mechanical engineering, heavy industry and steel structures
- Dredging and waste processing
- Construction and joinery works
- Interior construction

Wherever weight is moved vertically or horizontally, Hitachi hoists contribute to reliable and safe production processes. Their durable design is weather, wind and temperature resistant, and equally fit for environments where hygiene and precision are important. Do you have questions about a specific application? Please feel free to contact us to request more information.

ABOUT HITACHI

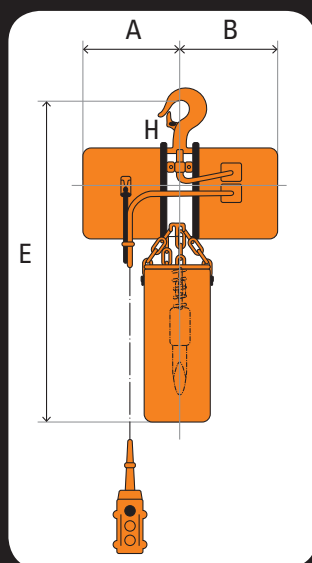
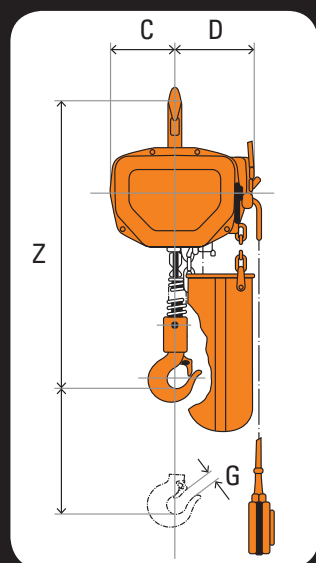
Hitachi is a Japanese multinational company with an impressive track record in the electronic systems, infrastructure and machine building industries.

Hitachi was founded by electrical engineer Namihei Odaira in 1910 and quickly developed into a leading local supplier of electrical engine systems and infrastructure for the electricity industry. Nowadays, Hitachi is the global market leader in electric chain hoist systems. Hitachi chain hoists have been the number one choice on the European market since 1965.

'PLUG & PLAY' WITH AD. A. KLEIN TRANSPORTTECHNIEK B.V.

Hitachi electric chain hoists are delivered directly from stock and with 'plug & play' cabling, so that they can be put into operation right away.

For more than 100 years, **Ad. A. Klein Transporttechniek B.V.** has been the preferred supplier of cranes, hoists, and everything else that goes above or below the hook. We are proud that we were designated as a Purveyor to the Royal Household in 2010 for our continued dedication to service and customer satisfaction. As an importer of Hitachi, we help our clients and partners to 'lift higher' safely and sustainably every day. Please feel free to contact us with requests for more information or specifications.



TYPE	1/4 S2	1/4 SN2	1/4 SS2	1/2 S2	1/2 SN2	1/2 SS2	1F	1S	1SN	2F	2FN	2,5FN	2S	2SN	3F	3FN	3S	5F	5FN	5S
Rated load kg	250	250	250	500	500	500	1000	1000	1000	2000	2000	2500	2000	2000	3000	3000	3000	5000	5000	5000
Number of falls	1	1	1	1	1	1	1	1	1	1	1	1	2	2	2	2	3	3	3	5
Hoisting speed m/min.	10	7.2/1.8	5	7.2	7.2/1.8	3.6	7.5	4.6	4.6/1.2	6.8	6.8/1.7	5.4/1.4	2.3	2.3/0.6	4.1	4/1	1.5	2.8	2.8/0.7	0.9
Motor output at 400V - 3ph - 50 Hz.																				
kW	0.45	0.32/0.08	0.25	0.63	0.63/0.16	0.32	1.3	0.8	0.8/0.2	2.4	2.4/0.6	2.4/0.6	0.8	0.8/0.2	2.4	2.4/0.6	0.8	2.4	2.4/0.6	0.8
Amperage	1.3	1.7/1.2	1	2.1	2.1/1.8	1	3.2	2.9	3.5/2.5	5.6	6/3.8	6/3.8	2.9	3.5/2.5	5.6	6/3.8	2.9	5.6	6/3.8	2.9
Size mm	Z	450	450	450	450	450	535	530	530	660	660	660	645	645	820	820	800	1020	1020	895
	A	181	183	181	181	183	181	250	216	216	280	280	216	216	280	280	216	280	280	216
	B	184	210	210	184	210	210	250	216	246	280	330	330	216	246	280	330	216	280	280
	C	125	125	125	125	125	125	135	135	135	175	175	175	90	90	120	120	125	145	145
	D	165	185	165	165	185	165	170	170	170	170	170	170	215	215	245	245	270	330	330
	E	620	620	620	620	620	620	680	680	680	845	845	845	705	705	1090	1090	835	1295	1305
	G	19	19	19	19	19	19	23	23	23	26	26	26	26	26	42	42	42	48	48
	H	27	27	27	27	27	27	29	29	29	33	34	34	34	34	40	40	40	48	48
Weight at 3m lifting height kg	28	33	34	31	36	34	42	37	42	80	96	96	49	54	99	112	61	121	146	88



Ad. A. KLEIN
TRANSPORTTECHNIEK B.V.
HIJSWERKTUIGEN, KRANEN EN TAKELS
BIJ KONINKLIJKE BESCHIKKING HOFLEVERANCIER

Headquarter

Rijnkade 15
1382 GS Weesp
The Netherlands

NL +31 (0)294 41 51 55
UK +44 (0)161 768 2160
E info@adaklein.nl
I www.adaklein.nl

